

Relief, direct acting guided
poppet type
Common cavity, Size 10

VSBN-10A

04.11.55 - X - 85 - Z

RE 18318-05

Edition: 10.2021

Replaces: 01.2019



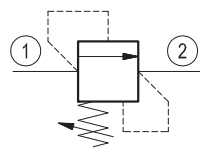
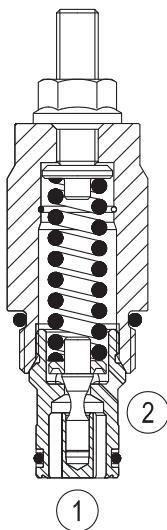
Description

Flow is blocked from 1 to 2 until pressure increases to meet the selected valve setting, lifting the poppet from its seat and allowing relief flow through port 2 to tank. Pressure at port 2 is additive to the relief setting of the valve. The unique Bosch Rexroth Oil Control poppet design provides enhanced stability at all flows and pressures.

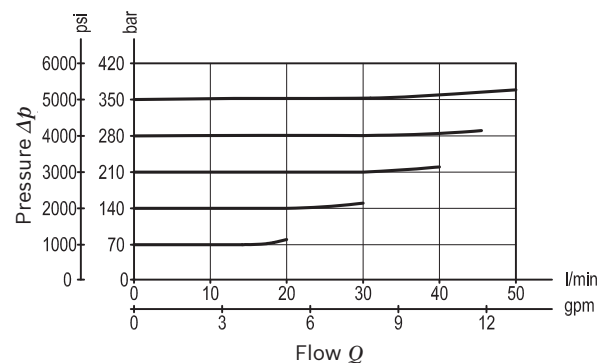
Technical data

Max. operating pressure port 1 (P)	350 bar (5000 psi)
Max. pressure admitted port 2 (T)	350 bar (5000 psi)
Max. flow	50 l/min (13 gpm)
Max. internal leakage ¹⁾	15 drops/min.
Fluid temperature range	-30 to 100 °C (-22 to 212 °F)
Installation torque	41 - 47 Nm (30 - 35 ft-lbs)
Weight	0.2 kg (0.44 lbs)
Cavity	CA-10A-2N (see data sheet 18325-70)
Lines bodies and standard assemblies	Please refer to section "Hydraulic integrated circuit" or consult factory
Seal kit ²⁾	Code: RG10A2010530100 material no: R901111366
Fluids	Mineral-based or synthetics with lubricating properties at viscosities of 10 to 500 mm ² /s (cSt)
Recommended degree of fluid contamination	Nominal value max. 10µm (NAS 8) / ISO 4406 20/18/15
Installation position	No restrictions
Other Technical Data	See data sheet 18350-50

- 1) At 80% of pressure setting
- 2) Only external seals for 10 valves



Characteristic curve



Ordering code

04.11.55	X	85	Z	00	*
-----------------	----------	-----------	----------	-----------	----------

Relief, direct acting guided

Adjustments

- 03** Leakproof hex. socket screw
- 04** Handknob and locknut

85 Common cavity, Size 10

Series 0/A to L
unchanged performances and dimensions

Version and options standard

		SPRINGS		
		Adj. press. range bar (psi)	Pressure increase bar/turn (psi/turn)	Std. setting bar (psi) Q=5 l/min
for X= 03	05	* 5-70 (75-1000)	16 (232)	50 (725)
	10	35-120 (500-1740)	24 (348)	100 (1450)
	20	105-210 (1500-3000)	54 (783)	200 (2900)
	35	175-350 (2500-5000)	84 (1218)	350 (5000)
for X= 04	10	25-110 (363-1595)	19 (276)	100 (1450)
	35	90-350 (1305-5075)	68 (986)	350 (5000)

Note: Special settings available. Contact factory authorized representative for ordering code.

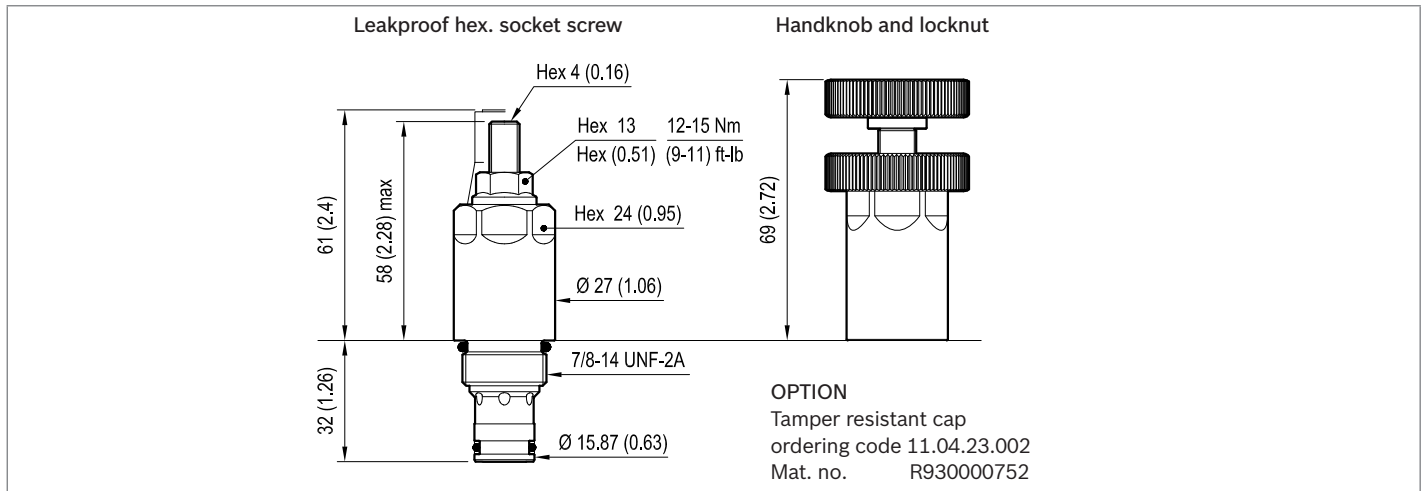
* minimum pressure setting intended with Q=5 l/min

Preferred types

Type	Material number
041155038505000	R901191831
041155038510000	R901113609
041155038520000	R901113610
041155038535000	R901115702

Type	Material number
041155048510000	R930058261
041155048535000	R930058262

Dimensions



Bosch Rexroth Oil Control S.p.A.

Via Leonardo da Vinci 5
P.O. Box no. 5
41015 Nonantola – Modena, Italy
Tel. +39 059 887 611
Fax +39 059 547 848
compact-hydraulics-cv@boschrexroth.com
www.boschrexroth.com/compacthydraulics

© This document, as well as the data, specifications and other information set forth in it, are the exclusive property of Bosch Rexroth Oil Control S.p.a.. It may not be reproduced or given to third parties without its consent. The data specified above only serve to describe the product. No statements concerning a certain condition or suitability for a certain application can be derived from our information. The information given does not release the user from the obligation of own judgment and verification. It must be remembered that our products are subject to a natural process of wear and aging. Subject to change.