

Relief, pilot operated spool type
external pilot
Common cavity, Size 12

VSPX-12A

04.13.08 - X - 57 - Z

RE 18318-14

Edition: 03.2016

Replaces: 09.2009



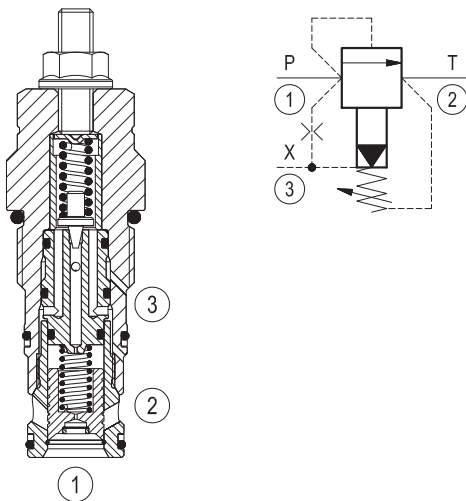
Description

Flow is blocked from 1 to 2 until pressure increases to meet the selected valve setting, lifting the conical, pilot-stage poppet from its seat. This action exhausts oil above the main-stage piston (spool type), allowing it to shift and provide relief flow through 2 to tank. Pressure at 2 is additive to the reliefsetting of the valve. With port 3 fully drained to tank, the minimum relief setting of 2 bar (30 psi) is attained. To use the remote control feature, pressure at 3 may be varied externally in control of the main relief setting up to the selected maximum spring adjustment.

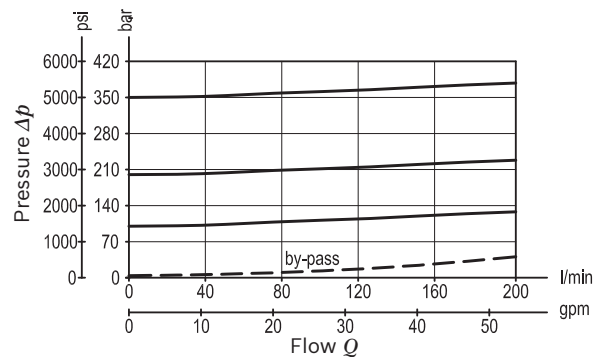
Technical data

| | |
|--|--|
| Max. operating pressure port 1 (P) and 2 (T) | 350 bar (5000 psi) |
| Max. pressure admitted port 3 (Y) | 350 bar (5000 psi) |
| Flow range | 5 - 200 l/min (1.3 - 53 gpm) |
| Max. internal leakage ¹⁾ | 350 cm ³ /min. (21 cu.in./min.) |
| Fluid temperature range | -30 to 100 °C (-22 to 212 °F) |
| Installation torque | 81 - 95 Nm (60 - 70 ft-lbs) |
| Weight | 0.3 kg (0.66 lbs) |
| Cavity | CA-12A-3C (see data sheet 18325-70) |
| Lines bodies and standard assemblies | Please refer to section "Hydraulic integrated circuit" or consult factory |
| Seal kit ²⁾ | Code: RG12A9010520100 material no: R901111379 |
| Fluids | Mineral-based or synthetics with lubricating properties at viscosities of 10 to 500 mm ² /s (cSt) |
| Recommended degree of fluid contamination | Nominal value max. 10µm (NAS 8) / ISO 4406 19/17/14 |
| Installation position | No restrictions |
| Other Technical Data | See data sheet 18350-50 |

- 1) Measured at 200 bar (2900 psi)
- 2) Only external seals for 10 valves



Characteristic curve



Ordering code

| | | | | | |
|-----------------|----------|-----------|----------|-----------|----------|
| 04.13.08 | X | 57 | Z | 00 | * |
|-----------------|----------|-----------|----------|-----------|----------|

Relief, pilot operated spool type
external pilot

Adjustments

03 Leakproof hex. socket screw

57 Common cavity, Size 12

Series 0/A to L
unchanged performances and dimensions

Version and options standard

| SPRINGS | | | |
|-----------|--------------------------------|--|--|
| | Adj. press. range bar (psi) | Pressure increase bar/turn (psi/turn) | Std. setting bar (psi) Q=5 l/min |
| 10 | 35-140 (500-2000) | 48 (696) | 100 (1450) |
| 20 | 70-280 (1000-4000) | 88 (1276) | 200 (2900) |
| 35 | 140-420 (2000-6000) | 140 (2030) | 350 (5000) |

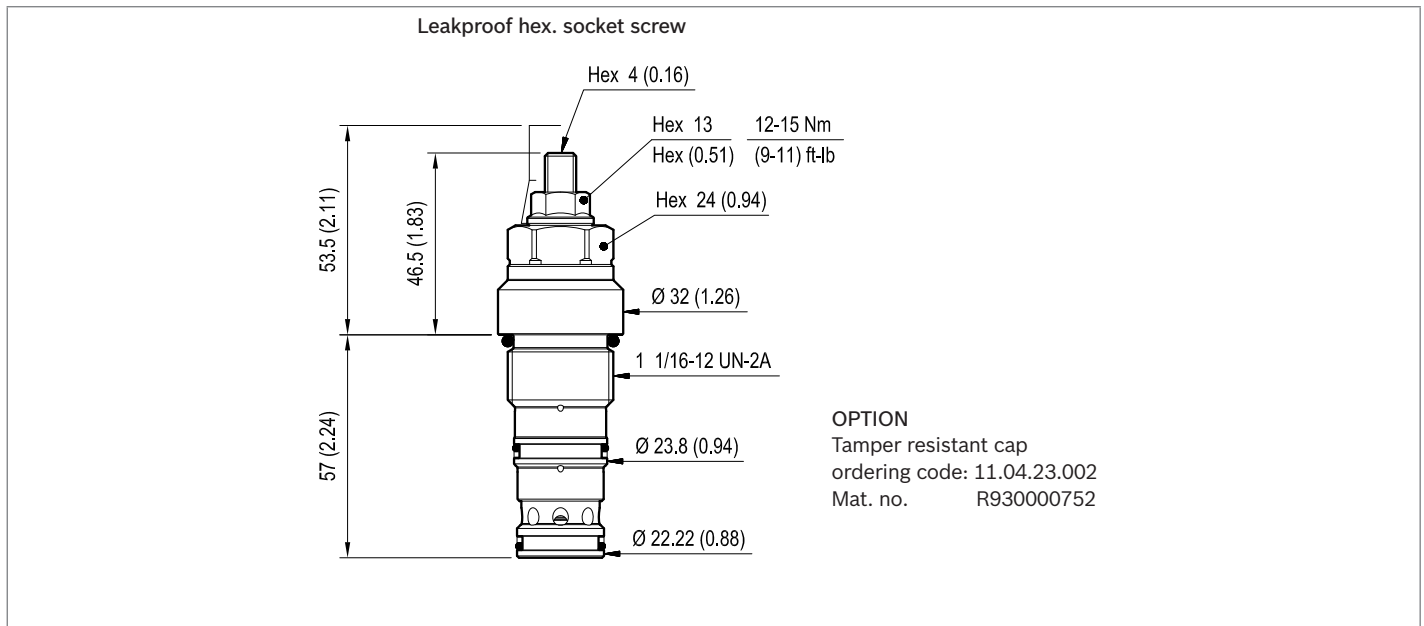
Note: Special settings available. Contact factory authorized representative for ordering code.

Preferred types

| Type | Material number |
|-----------------|-----------------|
| 041308035710000 | R930000359 |
| 041308035720000 | R930000360 |
| 041308035735000 | R930000361 |

| Type | Material number |
|------|-----------------|
| | |
| | |
| | |

Dimensions



Bosch Rexroth Oil Control S.p.A.

Via Leonardo da Vinci 5
P.O. Box no. 5
41015 Nonantola – Modena, Italy
Tel. +39 059 887 611
Fax +39 059 547 848
compact-hydraulics-cv@boschrexroth.com
www.boschrexroth.com/compacthydraulics

© This document, as well as the data, specifications and other information set forth in it, are the exclusive property of Bosch Rexroth Oil Control S.p.a.. It may not be reproduced or given to third parties without its consent. The data specified above only serve to describe the product. No statements concerning a certain condition or suitability for a certain application can be derived from our information. The information given does not release the user from the obligation of own judgment and verification. It must be remembered that our products are subject to a natural process of wear and aging. Subject to change.