

Check, poppet type

Common cavity, Size 16

VUCN-16A

04.31.25.00.27 - Z

RE 18318-92

Edition: 03.2016

Replaces: 05.2010



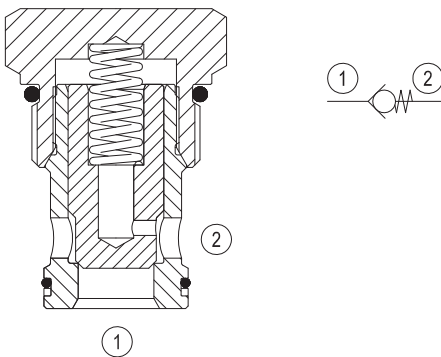
Description

When pressure at 1 rises above the spring bias pressure, the poppet is lifted and flow allowed from 1 to 2. The valve is closed (checked) from 2 to 1. Precision machining and hardening processes allow virtually leak-free performance in the checked condition.

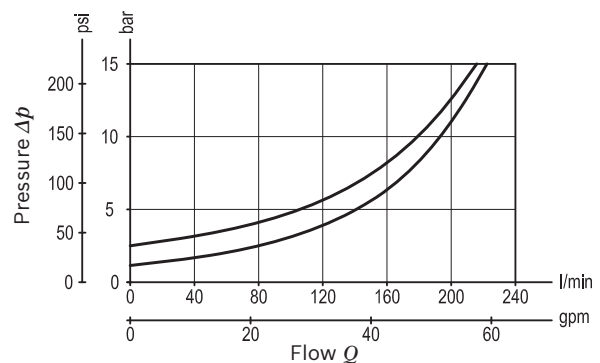
Technical data

Max. operating pressure	350 bar (5000 psi)
Max. flow	200 l/min (53 gpm)
Max. internal leakage	5 drops/min.
Fluid temperature range	-30 to 100 °C (-22 to 212 °F)
Installation torque	108 - 122 Nm (80 - 90 ft-lbs)
Weight	0.27 kg (0.6 lbs)
Cavity	CA-16A-2N (see data sheet 18325-70)
Lines bodies and standard assemblies	Please refer to section "Hydraulic integrated circuit" or consult factory
Seal kit ¹⁾	Code: RG16A2010520100 material no: R901111386
Fluids	Mineral-based or synthetics with lubricating properties at viscosities of 5 to 800 mm ² /s (cSt)
Recommended degree of fluid contamination	Nominal value max. 10µm (NAS 8) / ISO 4406 19/17/14
Installation position	No restrictions
Other Technical Data	See data sheet 18350-50

1) Only external seals for 10 valves



Characteristic curve



Ordering code

04.31.25.00	27	Z	00	*
--------------------	-----------	----------	-----------	----------

Series 0/A to L
unchanged performances and dimensions

Check, poppet type

Version and options standard

SPRINGS	
	Cracking pressure bar (psi)
A0	0.35 (5.1)
00	1 (15)
02	2 (30)
04	3.5 (51)

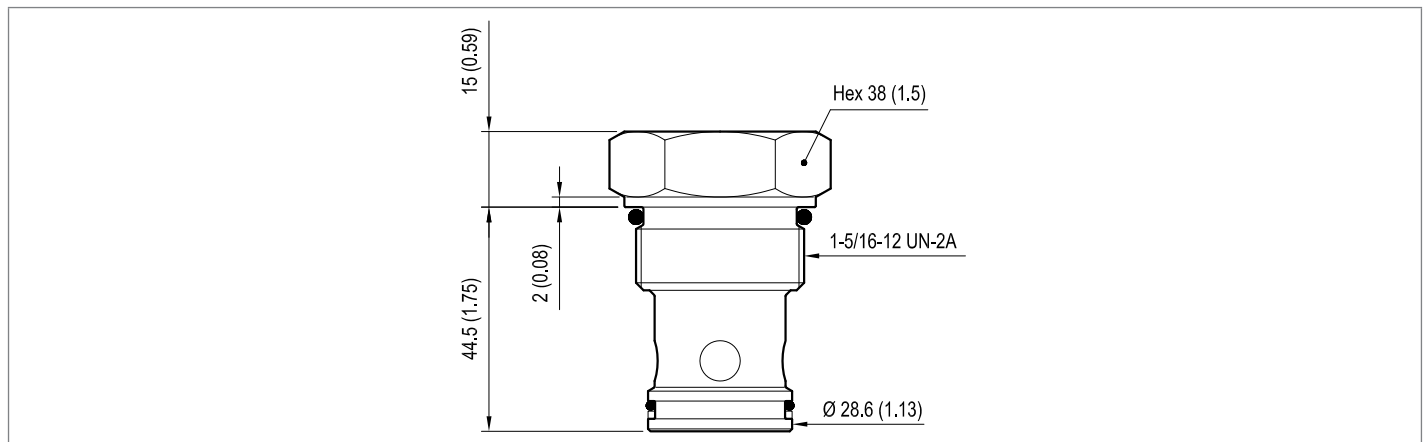
27 Common cavity, Size 16

Preferred types

Type	Material number
0431250027A0000	R930004414
043125002700000	R901106616
043125002702000	R901106617
043125002704000	R930000481

Type	Material number

Dimensions



Bosch Rexroth Oil Control S.p.A.

Via Leonardo da Vinci 5
P.O. Box no. 5
41015 Nonantola – Modena, Italy
Tel. +39 059 887 611
Fax +39 059 547 848
compact-hydraulics-cv@boschrexroth.com
www.boschrexroth.com/compacthydraulics

© This document, as well as the data, specifications and other information set forth in it, are the exclusive property of Bosch Rexroth Oil Control S.p.a.. It may not be reproduced or given to third parties without its consent. The data specified above only serve to describe the product. No statements concerning a certain condition or suitability for a certain application can be derived from our information. The information given does not release the user from the obligation of own judgment and verification. It must be remembered that our products are subject to a natural process of wear and aging. Subject to change.