

Solenoid operated valves pilot operated poppet type  
2-way normally open  
Common cavity, Size 12

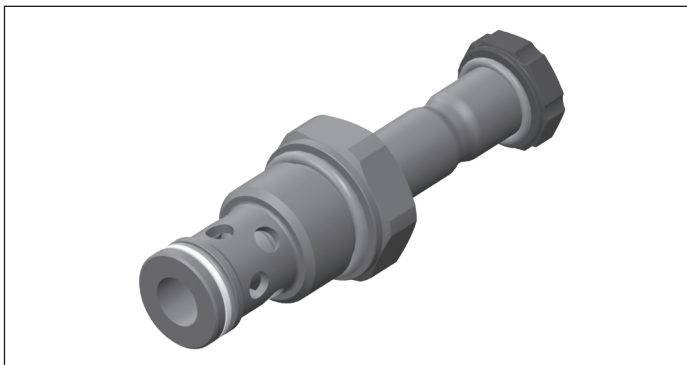
VEI-16-NA

OD.15 - X - 89 - Y - Z - 00

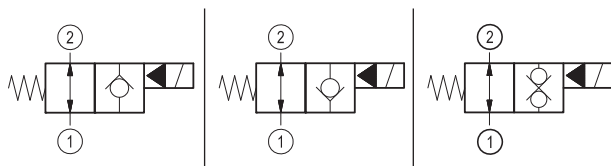
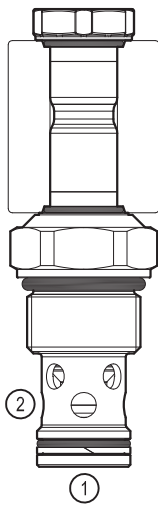
**RE 18323-40**

Edition: 03.2021

Replaces: 06.2019



**PATENT PENDING**



**Technical data**

New VEI-16 family incorporates a new solenoid concept providing excellent performance and enables cartridges to work in severe environment. Cartridges also incorporates advanced design of hydraulic parts providing excellent hydraulic performance.

**Technical data**

General	
Weight	0.25 kg (0.55 lbs)
Installation orientation	Unrestricted
Storage ambient temperature range	-40 to 100 °C (-40 to 212 °F)
Operating ambient temperature range	-30 to 90 °C (-22 to 194 °F)
Hydraulic	
Max. operating pressure	350 bar (5000 psi)
Flow range	5 - 150 l/min (1 - 40 gpm)
Max. internal leakage:	20 drops/min.
Switching time	Closing ≤ 100 ms Opening ≤ 50 ms
Fluid temperature range	-20 to 80 °C (-4 to 176 °F)
Fluids: Mineral-based or synthetics with lubricating properties at viscosities of 20 to 380 mm <sup>2</sup> /s (cSt)	
Installation torque	54 - 66 Nm (40 - 49 ft-lbs)
Recommended degree of fluid contamination	Nominal value max. 10 μm (NAS 8) ISO 4406 19/17/14
MTTFD	150 years see 18350-51
Common cavity	CA-12A-2N see 18325-70
Seal kit for X=06	code RG12A2010520100 material no. R901111377
Seal kit for X=04,32	code RG12A2010530100 material no. R930003374
Seal kit coil and standard cap	code RG02Z0010000100 material no. R930067869
Seal kit coil and protective cap only for Y=B	code RG03Z0010000100 material no. R930067870
Seal kit coil and protective cap only for Y=C	code RG04Z0010000100 material no. R930069171
Other technical data	See data sheet 18350-50
Electrical	
Type of voltage	DC voltage
Coil type	D36
Supply voltage	See data sheet 18325-90
Voltage tolerance against ambient temperature	See characteristic curve
Power consumption	20 W
Type of protection	See data sheet 18325-90
Note: Coils must be ordered separately	

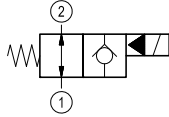
**Ordering code**

<b>OD.15</b>	<b>X</b>	<b>89</b>	<b>Y</b>	<b>Z</b>	<b>0000</b>	<b>*</b>
--------------	----------	-----------	----------	----------	-------------	----------

Solenoid operated valves  
pilot operated poppet type  
2-way normally open

Series O/A to L  
unchanged performances and dimensions

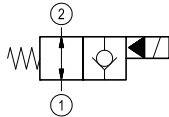
bidirectional type



**04**

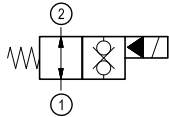
**O** = With buna seal  
**V** = With Viton seal  
**P** = With buna seal and protective cap for override version **B** and **C**  
**T** = With Viton seal and protective cap for override version **B** and **C**

bidirectional type



**06**

bidirectional type



**32**

**A** = Standard  
**B** = Push style manual override  
**C** = Push and twist style manual override

Common cavity: CA-12A-2N

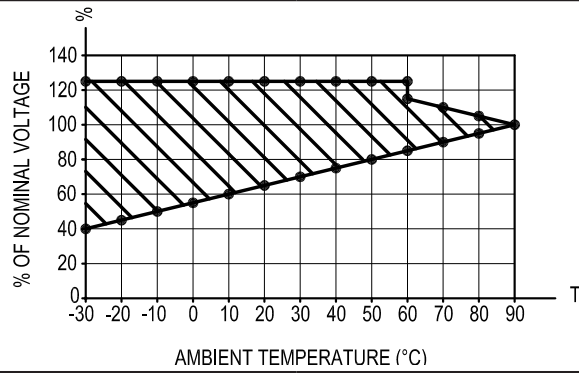
**Preferred types**

Type	Material number
OD150689A000000	R930063151
OD150689B000000	R930068531
OD150689C000000	R930069635
OD153289A000000	R930066971
OD153289B000000	R930071122
OD153289C000000	R930069395
OD150489A000000	R930069046
OD150489B000000	R930068525

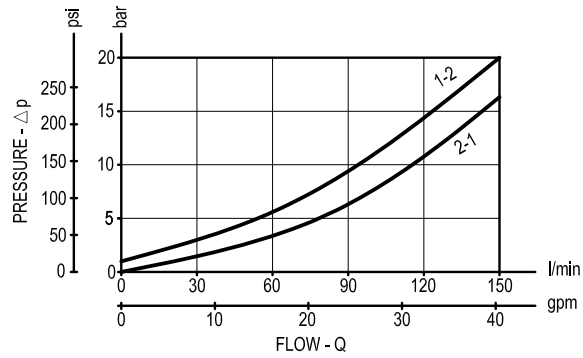
Type	Material number

Characteristic curves

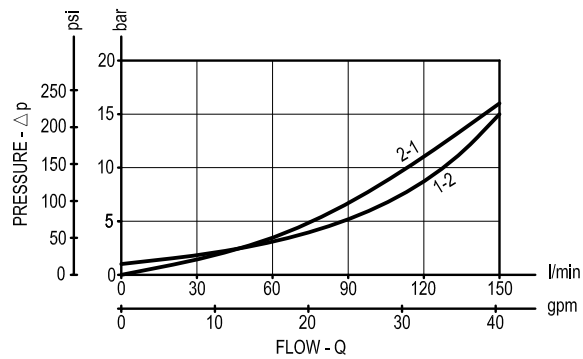
All Versions - Admissible supply voltage Vs. Ambient temperature at 100% duty cycle



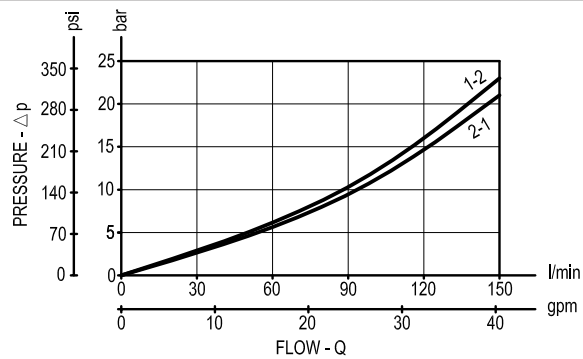
Versions 04



Versions 06

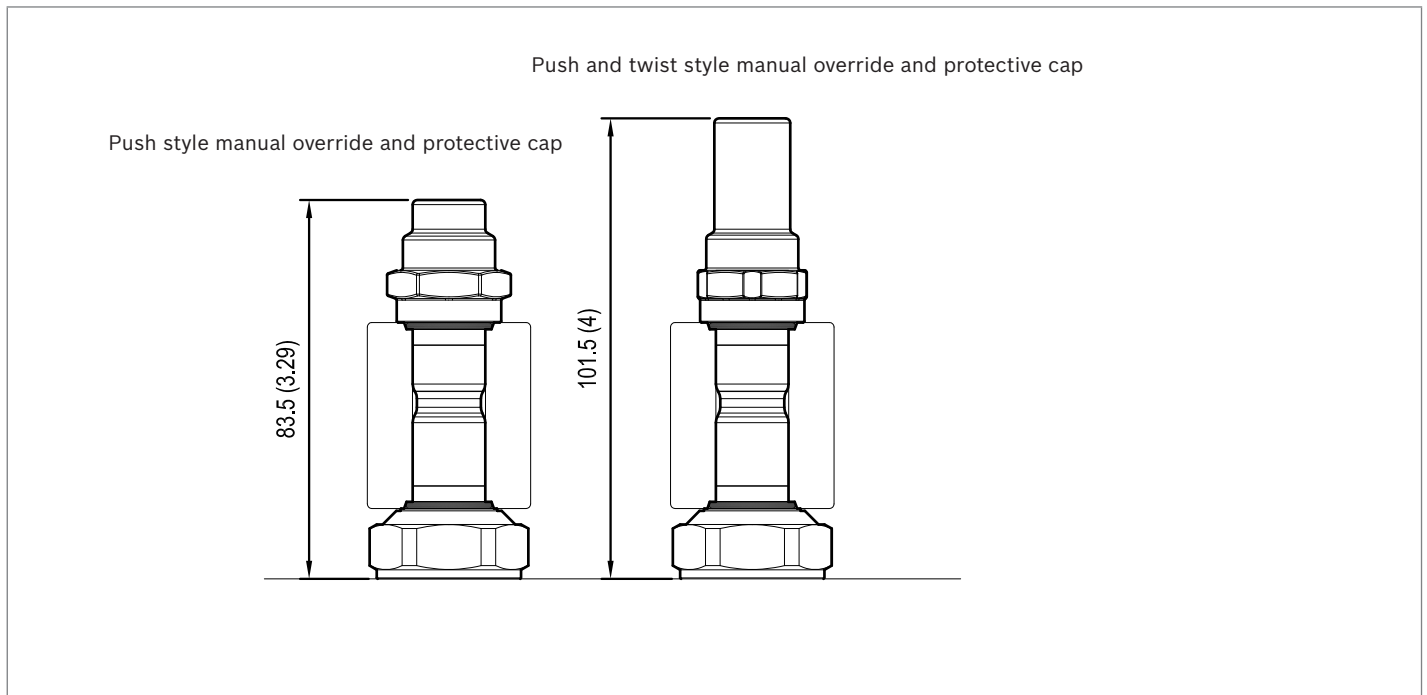
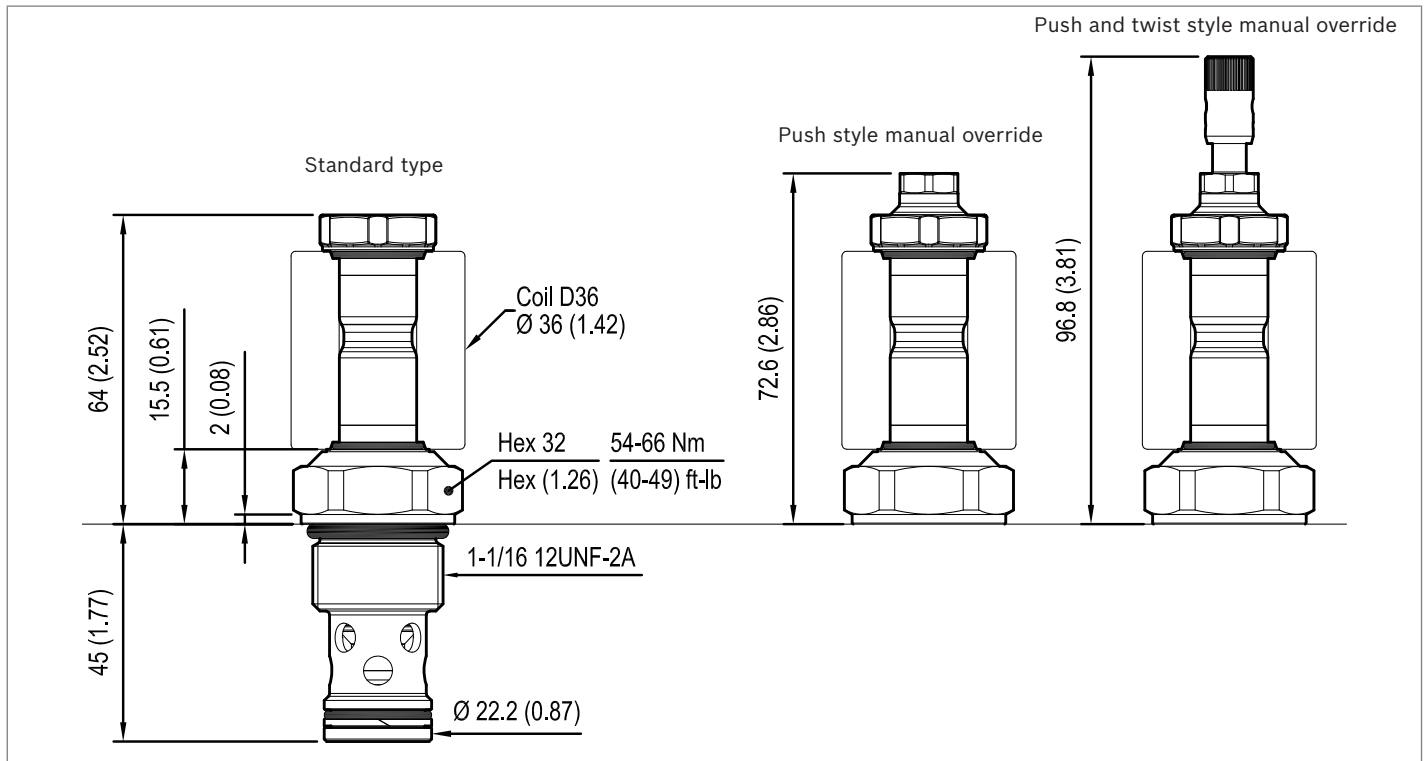


Versions 32



**Dimensions**

**Solenoid operated valves, poppet 2-way normally open**



**Bosch Rexroth Oil Control S.p.A.**  
 Via Leonardo da Vinci 5  
 P.O. Box no. 5  
 41015 Nonantola – Modena, Italy  
 Tel. +39 059 887 611  
 Fax +39 059 547 848  
 compact-hydraulics-cv@boschrexroth.com  
 www.boschrexroth.com/compacthydraulics

© This document, as well as the data, specifications and other information set forth in it, are the exclusive property of Bosch Rexroth Oil Control S.p.a.. It may not be reproduced or given to third parties without its consent. The data specified above only serve to describe the product. No statements concerning a certain condition or suitability for a certain application can be derived from our information. The information given does not release the user from the obligation of own judgment and verification. It must be remembered that our products are subject to a natural process of wear and aging. Subject to change.